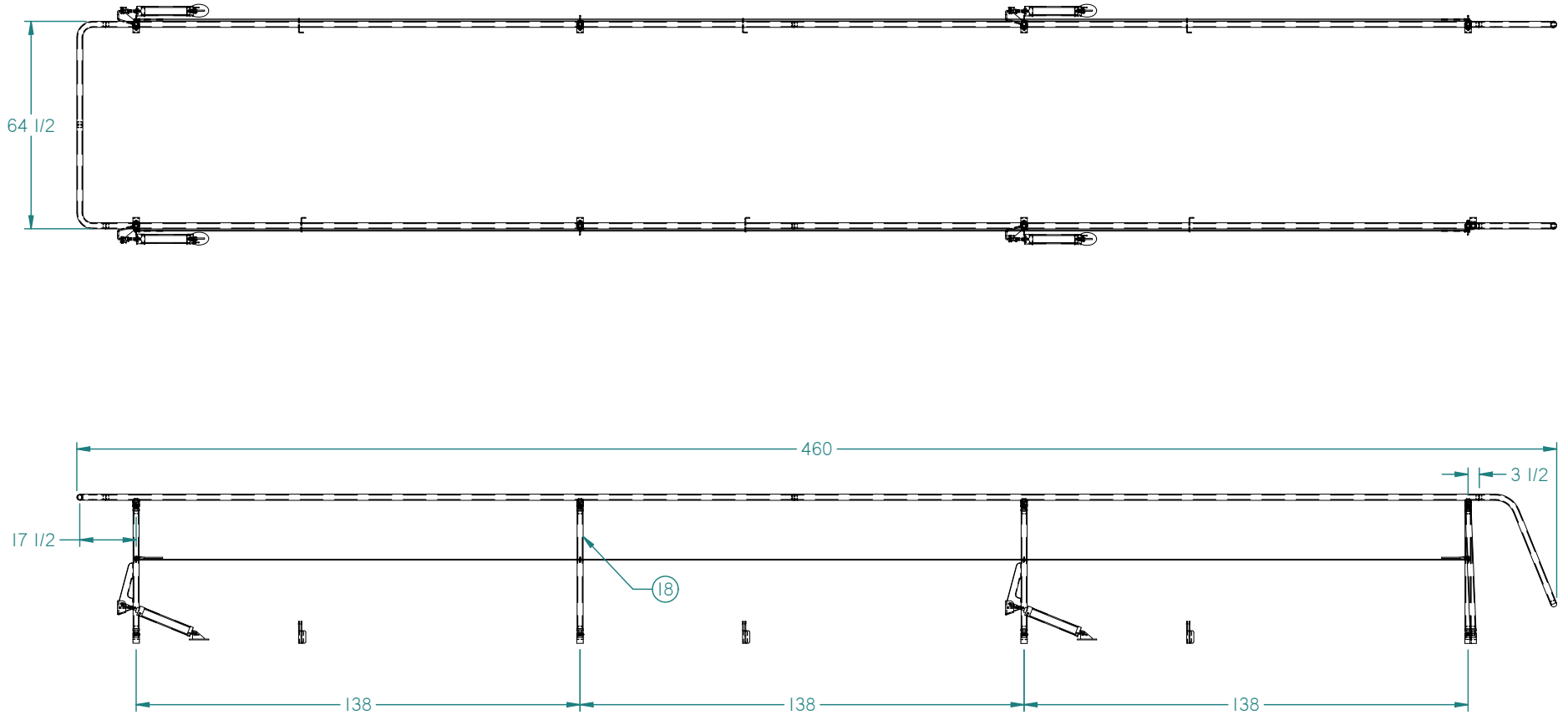


THIS DRAWING IS THE PROPERTY OF MAC TRAILER MANUFACTURING INC. AND SUBJECT TO RECALL AT ANY TIME. DUPLICATION OR DISTRIBUTION WITHOUT PERMISSION IS PROHIBITED.		MAC MANUFACTURING INC.	
UNLESS OTHERWISE SPECIFIED DIMENSIONS ARE IN INCHES ANGLES +2° FRACTIONS +1/16 DECIMALS +0.02		HAND RAIL ASSEMBLY SEVICE	
DRAWN: CAB	DATE: 4/25/2012	PAGE 1 OF 3	PART NO: 73440053
REV.	DATE	REASON FOR CHANGE	ECN # BY
			WEIGHT: 293.4 lbm REVISION: 1



THIS DRAWING IS THE PROPERTY OF MAC TRAILER MANUFACTURING INC. AND SUBJECT TO RECALL AT ANY TIME. DUPLICATION OR DISTRIBUTION WITHOUT PERMISSION IS PROHIBITED.		MAC MANUFACTURING INC. HAND RAIL ASSEMBLY SEVICE
UNLESS OTHERWISE SPECIFIED DIMENSIONS ARE IN INCHES ANGLES +2° FRACTIONS +1/16 DECIMALS +0.02		
DRAWN:	DATE: 4/25/2012	PAGE 2 OF 3 PART NO: 73440053
WEIGHT: 293.4 lbm	REVISION: 1	

PARTS LIST FOR 73440053

ITEM	QTY.	ERP_Upload	DESCRIPTION	WEIGHT
1	4	11301518-213.5	PIPE 1-1/2 ALUM SCH 80 X 213-1/2"	0.0 lbm
2*	16	20203183	HEX NUT, 5/16-18 STAINLESS	0.2 lbm
3	8	20309516-5	EYEBOLT, STAINLESS, 5/16-18 X 5	0.7 lbm
4	24	20521150	PIN, COTTER 1/8 X 1-1/2" S.S.	0.1 lbm
5	8	20533500	1/2" X 1-3/4" PIN, ZINC PLATED	0.9 lbm
6	8	20533501	3/4" X 2-1/2" PIN, ZINC PLATED	2.9 lbm
7	8	20533502	3/4" X 2" PIN, ZINC PLATED	2.4 lbm
8	4	23101205	THIMBLE SS 1/4"	0.1 lbm
9	2	23101206-414	WIRE ROPE, 3/16, COATED X 280" LONG	18.8 lbm
10	4	23200108	YOKE, 1/2" - 20	1.1 lbm
11	4	25008250-14	CYLINDER, 2-1/2" X 14", AIR	56.0 lbm
12	4	73200114	CYL. BRKT., HANDRAIL, LOWER	0.9 lbm
13	2	73200117	END CAP, HANDRAIL	0.7 lbm
14	4	73200153	GUSSET	1.5 lbm
15	2	73200154	CYL. BRKT., HANDRAIL, UPPER, D.S.	4.5 lbm
16	2	73200154-1	CYL. BRKT., HANDRAIL, UPPER, P.S.	4.5 lbm
17	16	73200156	UPRIGHT BRACKET, FEMALE	8.5 lbm
18	8	73200157	PIPE, UPRIGHT, HAND RAIL, 36.5"	28.4 lbm
19	4	73200159	WELD PAD	1.8 lbm
20	7	73200190-1.7	SPLICE INSERT, HANDRAIL	2.1 lbm
21	8	73200200	UPRIGHT BRACKET, MALE, HANDRAIL	3.0 lbm
22*	1	73441000	AIR KIT FOR HANDRAIL	0.0 lbm
23	3	73442023	STOP, HANDRAIL P.S.	1.5 lbm
24	3	73442024	STOP, HANDRAIL D.S.	1.5 lbm
25	8	73442026	BRACKET, HAND RAIL LEG PIVOT	8.1 lbm
26	1	73442029	FRONT HANDRAIL	7.3 lbm
27	2	73442034	PIPE, BENT, HAND RAIL END	9.3 lbm